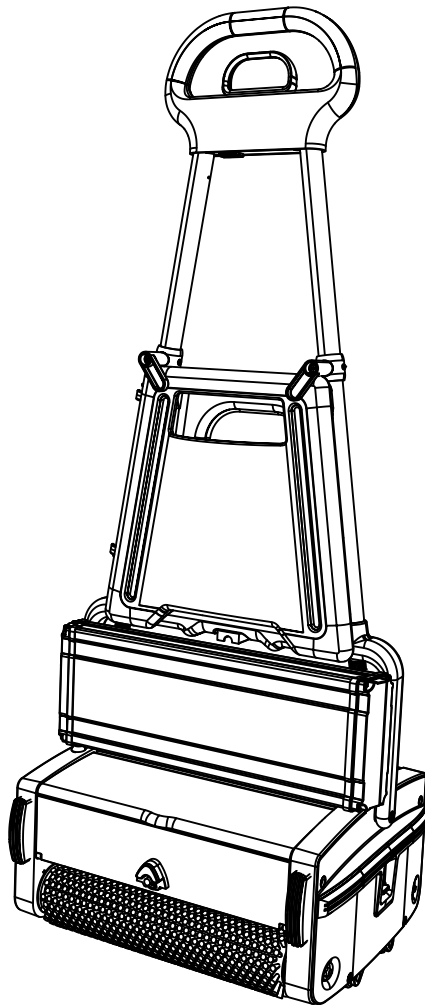


Minuteman[®]

Excellence Meets Clean



Owner's Manual & Illustrated Parts List
Port A Scrub 12 Battery

Introduction 4

Technical Specifications 5

General Safety Information 6

Know Your Machine 8

Machine Operation 9

Maintenance 11

Battery Instructions 12

ILLUSTRATED PARTS LISTS

Housing – Drive Side 13

Housing – Idle Side 15

Battery Group 19

Pump Housing 21

Handle Assembly 23

Motor, Drum & Bridge Assembly 25

Electrical Schematic 27

Accessories 28

Warranty 29

Please be advised explicitly that we cannot accept any legal claims out of the contents of this manual. If repair work has to be performed, make sure that only genuine spare parts are used since genuine spare parts only may guarantee continuous and dependable operation of your machine.

Minuteman International
 14N845 U.S. Route 20, Pingree Grove, IL 60140 USA
 Phone (800) 323-9420 ~ www.minutemanintl.com

Preface

Dear Customer,

We are pleased with your having chosen the **Port A Scrub 12 Battery** machine for your floor cleaning requirements. Backed by our industry expertise that spans across decades, we assure you that the machine comes with our promise of quality, efficiency and performance.

We advise you to carefully read through the instructions prior to the operation of the machine. This manual contains detailed instructions for the proper operation of the machine, along with important information regarding its handling, care, maintenance and service needs.

We are sure that you will find the machine and its performance to your utmost satisfaction. Once again, we thank you for choosing Minuteman International as a trusted partner for your cleaning requirements and solutions.

Usage, Handling & Modification

Use of the product beyond the specified scope of functioning is deemed improper and the manufacturer cannot be held liable for any damages which may arise due to this.

This machine may be used only by persons who are trained or are familiar with the machine and are aware of the possible hazards involved. The appropriate Accident Prevention Regulations as well as applicable general regulations pertaining to Safety and Health at the work place must be adhered to by the user.

Modifications made to machine without the manufacturer's consent will relieve the manufacturer of responsibility and any possible liability for consequential damage.

Notes on Domestic Warranty

Please refer to the **Limited Warranty located at the back of this manual** for additional information. If the product requires repair or maintenance work to be performed, please ensure that you get the machine serviced from an authorised service center or dealer of Minuteman International to ensure that the warranty is not void.

Acceptance of the Machine

On arrival of the machine at the shipping address, please check for any damage that may have occurred as a result of transit. In the event of any such damage, the purchaser is bound by responsibility to send a claim letter to the concerned Minuteman International branch/dealer with a copy of the invoice. The letter should be sent within 24 hours of receipt of the machine.

The Manual

All information contained is without obligation. Minuteman International particularly reserves the right to modify any equipment, technical specifications, colours, shapes, materials and the like so as to adapt them to local conditions all without previous announcement and without giving reasons. Minuteman International may stop manufacturing certain models without previous notice.

The Owner's Manual corresponds to the latest information available for this machine at the time it was printed. Minor deviations resulting from enhancements of the design cannot be entirely represented.

The Owner's Manual is an integral part of the machine and must not be misplaced.

Minuteman International reserves the right to change the product or contents of this manual without prior information. For Battery, Motors, Engines and other OEM components related kindly refer to their manufacturers manual supplied along with the machine for instructions regarding usage, maintenance and service.

Please note down the serial number of your machine below:





Serial number:

Date of commissioning:

Technical data	Units	Value
Scrubbing width	mm	315
Theoretical area performance	m ² /h	350
Battery rating	V	24
Run time	minutes	50
Total power	W	300
Brush Speed	rpm	400
Fresh water tank	L	4
Dirty water tank	L	1.7
Length	mm	378
Width	mm	440
Height (without / with handle)	mm	210 / 1114
Weight	kg	25

Safety & Warning Symbols

All paragraphs in this manual referring to your personal safety, the safety of your machine and the environment protection are attributed to one of the following warning symbols.

Symbol (Hazardous for)	Description
Safety Provisions (persons and goods) 	Safety provisions in dangerous situation caused by misuse inaccurate adherence of instruction or prescribed work routine.
Caution (the machine) 	Important information on handling the machine in order to maintain operability.
Ecological hazard (the environment) 	Due to use of substances representing an inherent danger to health of environment.
Read Manual 	Prior to first operation, read the manual carefully and strictly comply with the instructions contained.

Safety Instructions


- Apart from information contained in this manual, generally applicable legal provisions for safety and prevention of accidents must be adhered to.
- Do not put this manual aside without having read it, even if you have already operated similar ground cleaning equipment before.
- Allow yourself the time to do so in order to save time at a later time.
- The operator is responsible for all persons in the working area.
- Children must be kept away from the machine during operation.
- No person must be allowed to stay in the zone of danger.
- The warning and instruction plates attached to machine give important advice on safe operation.
- Replace lost or illegible stickers.
- Before starting to work, the operator has to check that the machine and its working implements are in proper and safe operating condition.
- Machines with known defects must not be used.
- It is important for operators and all persons who use the product, to familiarize themselves with all accessories and controls, as well as their functions, before starting operations.
- Abiding by the above general instructions can help


you avoid having to read this book while trying to run the machine.


- This machine must only be used for the manufacturer's approved application as described in this manual.
- The machine must be kept clean and in good condition with regular inspections of the battery charging lead and plug for signs of any damage. If any parts are damaged they shall only be replaced by an approved part by the manufacturer, its service agent or a similar qualified person in order to avoid a hazard.
- Only genuine accessories and spare parts provided with the machine or those approved by the manufacturer should be used. All repairs must be performed by a qualified service agent.


Safety during machine operation


- This machine is for **WET** scrubbing only.
- Ground cleaning machines may be run by qualified personnel only.
- The machine may be used for cleaning such surfaces approved by the owner or this authorized representative.
- The operator must use the machine in accordance to its intended fields of application.
- During operation, the operator must take account of local conditions (stairs, obstacles) and of other persons, particularly children.
- This machine is for indoor use only and should not be used or stored outdoors in wet conditions.
- Do not operate the machine when connected to the mains electrical supply.
- Take care when using a machine near the top of stairs to avoid overbalancing.
- Keep hair, loose clothing, hands, feet and all other parts of the body away from openings and moving parts.
- This charger should always be connected to a fully earth power supply of the right voltage and frequency.
- When unplugging, pull the plug, not the charger supply cord.
- Unless charging, the plug of the charger supply cord must be removed from the socket-outlet when not in use and before commencing cleaning of the machine or undertaking maintenance operations.
- When working on the electrical system, always disconnect the battery cable.
- Battery may only be handled and changed by properly skilled maintenance personnel.
- Pay attention that the insulation of the charger cables are not damaged during the charging process.
- It is not permitted to use aggressive and corrosive cleaning agents.
- Never lay any metallic objects or tools on batteries. Risk of short circuit and deflagration!

 Unless you are charging the machine; always remove the plug from the socket outlet. Keep the charger supply cord clear of moving parts.

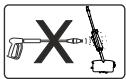
 Use only genuine spare brushes as specified by the manufacturer. Use of other than the indicated brush types may affect safety.

 Never collect explosive fluids, undiluted acids and solvents. This includes e.g. gasoline paint thinners or fuel oil, which-when combined with air, may form explosive vapors or mixtures. Acetone, undiluted acids and solvents can be aggressive to the material used for the machine components.

 The machine may be used only on indoor hard floorings and for operation on level grounds with a maximum inclination of up to 2%.

 - Do not clean the machine by means of vapor jet or high pressure cleaning equipment.
- Do not USE the machine on steps.

- Use of the machine in areas prone to explosion hazards is strictly forbidden.



Do not clean the machine by means of vapour jet or high pressure cleaning equipment.

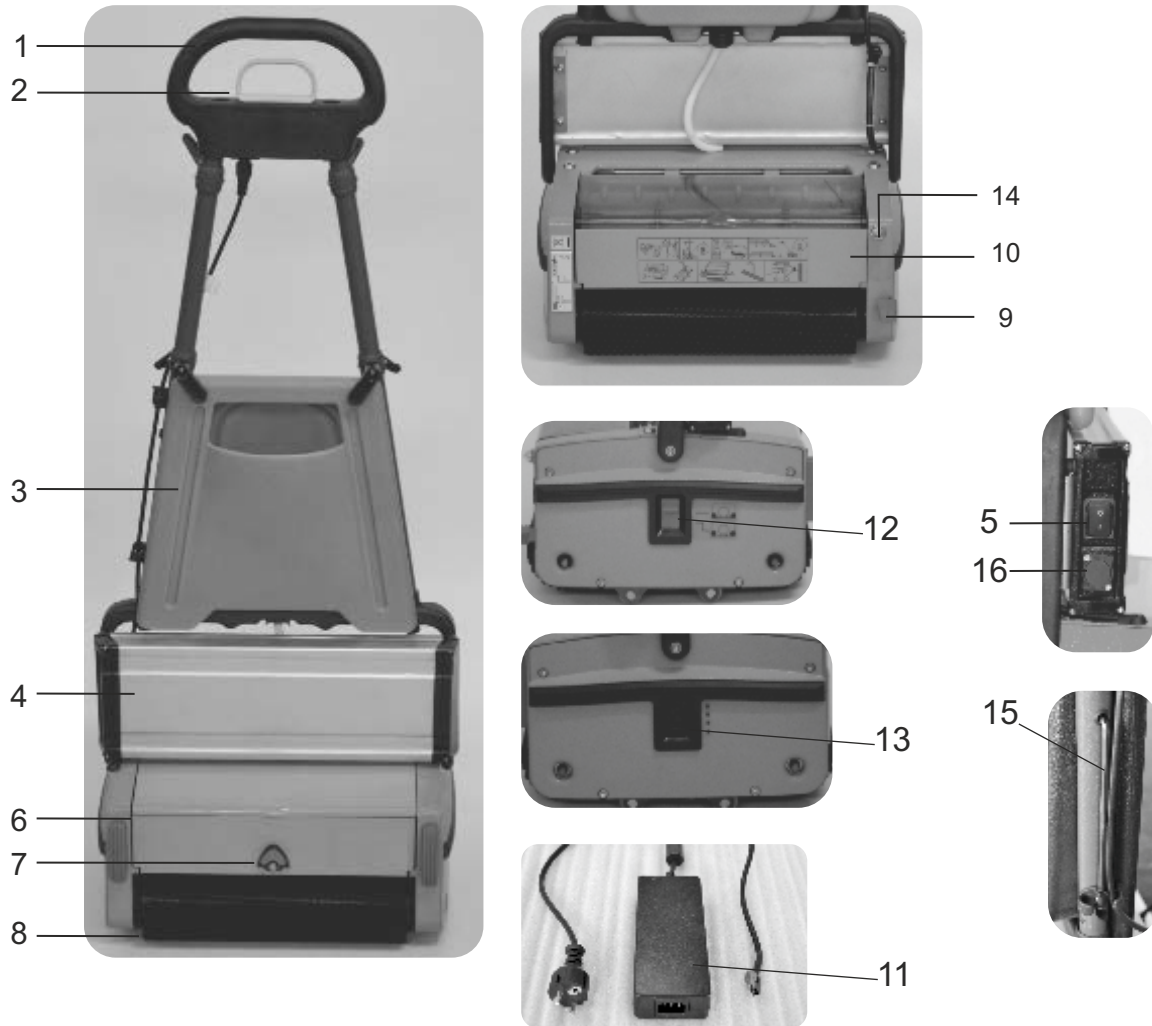


Do not direct water or other liquids into the control unit of your machine, risk of damaging the equipment or short circuit.

Transport

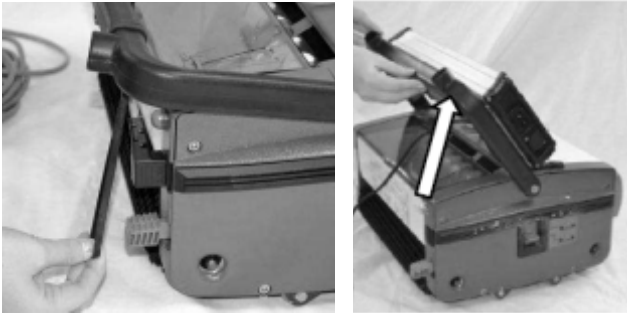
Incorrect lifting techniques may result in personal injury. We advise that the manual handling regulations are followed. Carefully wrap the charger supply cord and store in dry indoor location. Do not expose the machine to rain or moisture.

Identification Of Main Parts

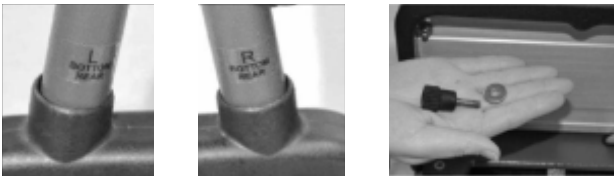
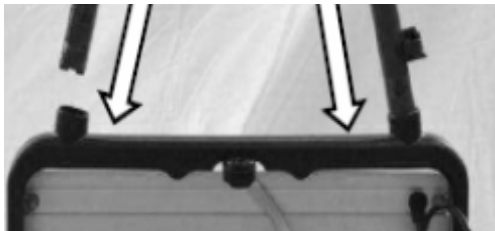


- | | |
|---------------------------------|-------------------------------|
| 1. Top handle | 9. Pedal |
| 2. Pump on - off control handle | 10. Dirty water tank |
| 3. Tank fresh water | 11. Charger adapter |
| 4. Battery pack | 12. Mode selector |
| 5. Battery switch | 13. Brush pressure adjustment |
| 6. Pump housing | 14. Status LED |
| 7. Nozzle | 15. Allen key |
| 8. Brush | 16. Charging socket |

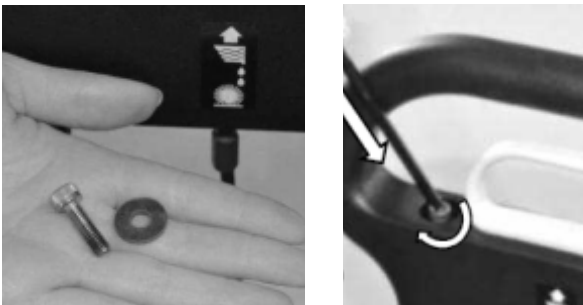
Machine Assembly & Operation



- Remove the retaining spring and place the handle in upright position.



- Insert the two pipe handles into the bottom handle and secure them using washer and knob (2 Nos) by tightening lightly. Ensure that the handles are assembled according to their marked position.



- Fit the top handle over the pipe handles and secure them with washer and screw (2 Nos). Ensure that the label on the top handle is facing the front of the machine.



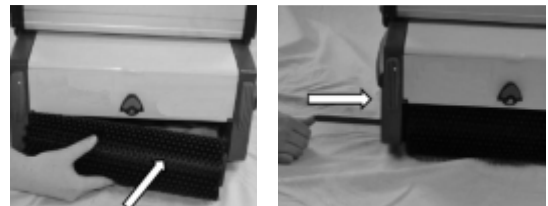
- Now tighten firmly both the knobs and screws alternately. Insert the dummy caps provided to cover the screws (2 nos) in the top handle.



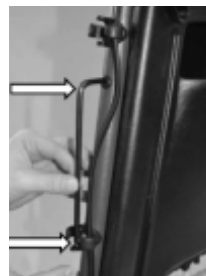
- Pass the free end of the pull cable through the plastic guide in RH handle.
- Plug the cable to the top handle assembly.



- Install the fresh water tank in between the two pipe handles and secure it using knobs.



- Fix the two brushes using the brush shafts.



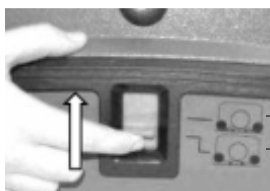
- Secure the allen key in the slot provided in the handle tube for further usage.



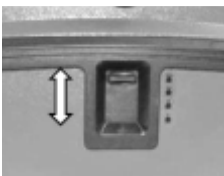
- Set the switch in ON position and connect the charger with battery.



- Connect the charger to the power supply.
- After 5 ½ hours the battery is fully charged.



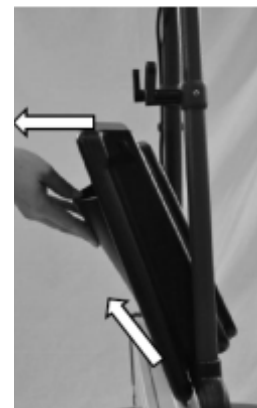
a
b



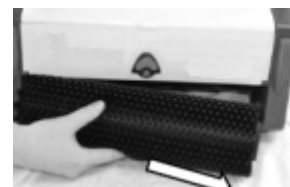
- Slide this knob to TOP position (a) (Working Mode) to operate the machine. Slide this knob to BOTTOM position (b) to move the machine from one place to other place and to park the machine. By keeping the knob to top position (working mode) and move the machine to operate.



- The pull handle is used to spray fresh water in front of the machine.



- Slide this knob to BOTTOM position to move the machine to park. Remove the fresh water tank and clean it.



- Switch off the machine and remove the brushes.
- Clean the machine and brushes.



- Disconnect the battery from the machine and remove it.
- The battery can be charged separately.

Troubleshooting

Trouble	Display	Reason	Remedy
Machine fails to start - no power	No LED Display	Transport working knob is in bottom position	Change to operating position
		Main switch is on Off position	Switch on the main switch
		30 A fuse blown	Replace fuse and check
		Handle switch, tilt switch are opened/faulty	Check switches
Brushes not rotating	LED blinks in RED	Battery low voltage	Charge the battery
		Motor over heated	Wait for 20 minutes and restart
Machine fails to pick up water from the floor	NA	Worn brushes	Replace brush, lip, lugs or springs
		Damaged lip on recovery tank	
		Broken lugs on recovery tank	
		Drum not revolving	Fit bridge in correct way
Bridge fitted wrong way on machine or springs broken			
Machine fails to spray solution onto the floor	NA	Blocked jet	Clean jet or inline filter
		Blocked inline filter	
		Faulty pump	
		Blocked filter or faulty valve in solution tank	
		Faulty pump micro switch	Check cord
Damaged or broken pump On/Off cord			
Drum not rotating	NA	Plastic gear inside rim of drum sheared	Clean drum and bearings and remove dirt and build up
		Drum sprocket bearing seized	
		Build up of dirty hair etc. around bridge springs	
		Plastic gears in gearbox stripped	
		Drum rubber sleeve loose on drum	

Do's & Don't's

Do's

- Take adequate care to hold the machine firmly while installing and removing the brush.
- Ensure all parts are fitted properly before operation.
- Take care when using a machine near the top of stairs to avoid overbalancing.
- Keep children and unauthorized persons away from the machine when in use.
- The batteries must be neutralized through an approved secondary treatment facility prior to disposal as waste.

Don't's

- Don't use where hazardous dust is present.
- Don't use in an explosive atmosphere.
- Don't pick up or use near flammable or combustible fluids, hazardous dusts or vapors.
- Don't use to clean up any burning or lit debris

materials such as cigarettes, matches, ashes or other combustible objects.

- Don't put any object into openings.
- Don't use with any opening blocked; keep free of dust, debris and anything that may reduce airflow.
- Don't operate the machine when connected to the mains electrical supply.
- Don't charge the machine with a damaged battery charging lead or plug, or after the machine malfunctions or is damaged in any way. Contact an authorised Service Agent for repair or adjustment.
- Don't leave machine running unattended.
- Don't operate switches or touch the mains plug with wet hands as this may cause electric shock.
- Don't pull or carry by the charger supply cord.
- Never use excessive foaming or highly corrosive cleaning solutions.
- Do not dispose this device with unsorted waste.

Warning Symbols



The above instructions have been established for your safety and have to be strictly observed.



Observe the instruction which must be mounted clearly at the charging point!



Any splashes of acid in the eyes or on the skin must be rinsed thoroughly with plenty of clear pure water. Then consult a doctor immediately!



No Smoking! No naked lights, embers or sparks in the vicinity, risk of fire and explosion!



Risk of fire explosion, avoid short circuits! **Caution!** Metal components in the battery cells are always under voltage, never place any foreign items or tools on the battery!



Keep children away from batteries



Do not throw in environment/garbage!

Waste Electrical & Electronic Equipment (WEEE)

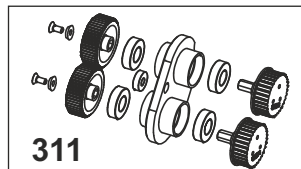
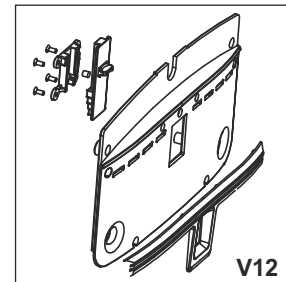
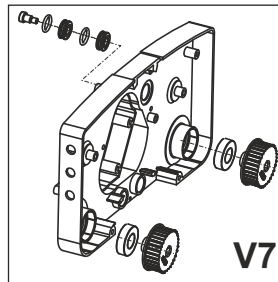
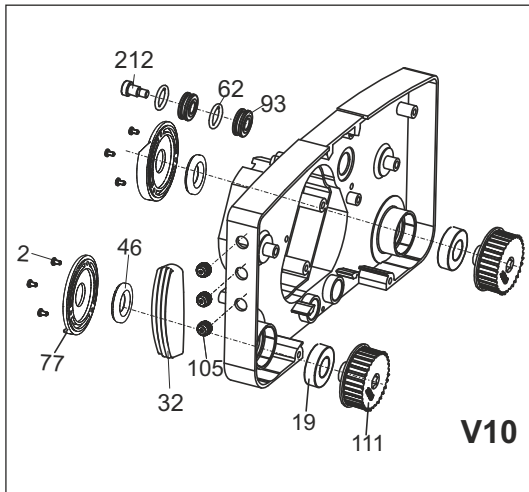
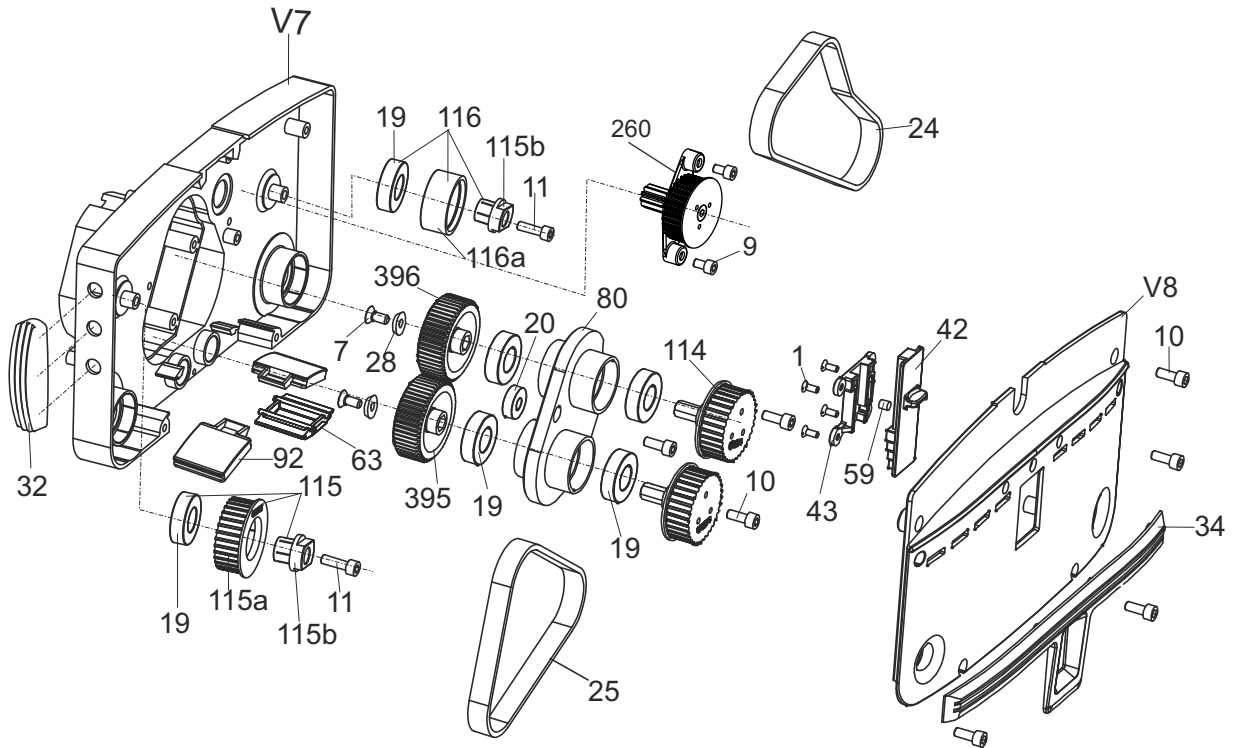


Do not dispose this device with unsorted waste. Improper disposal may be harmful to the environment and human health. Please refer to your local waste authority for information on return and collection systems in your area.

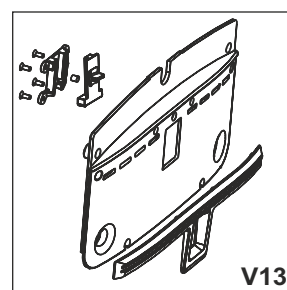
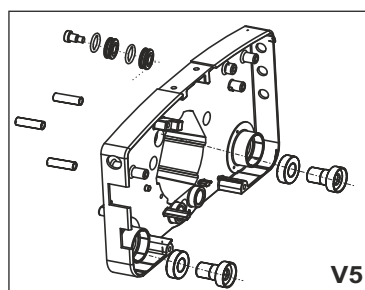
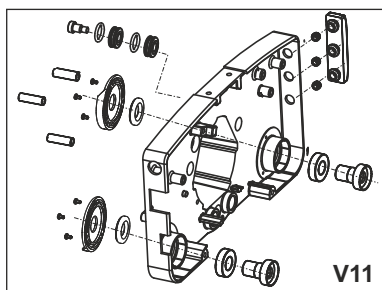
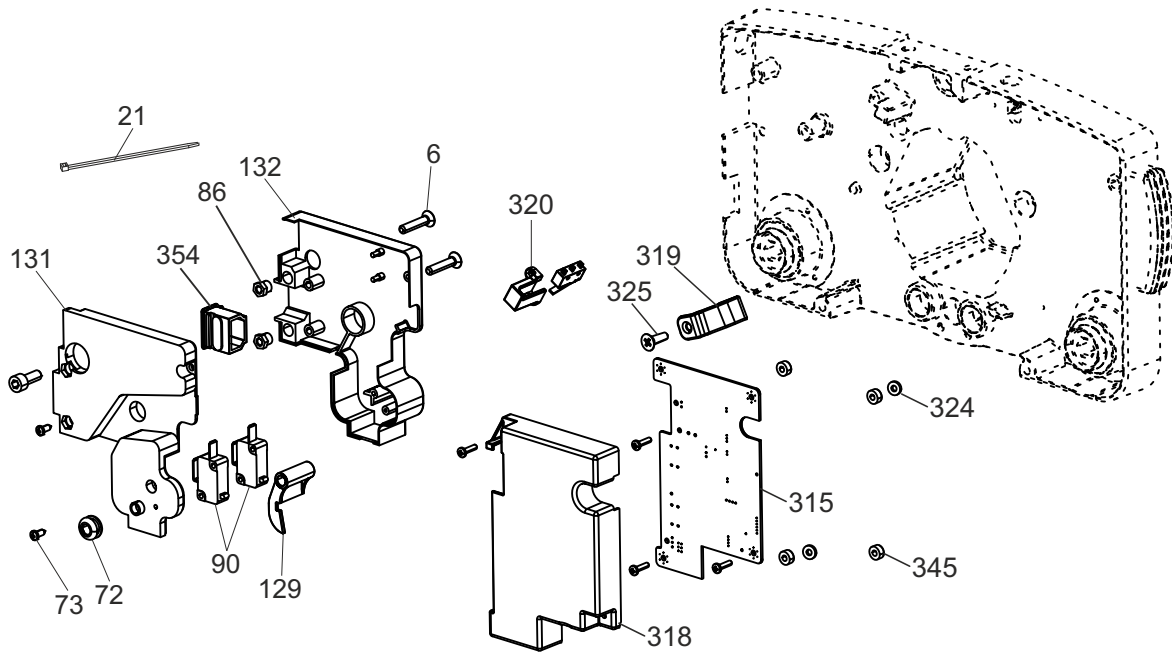
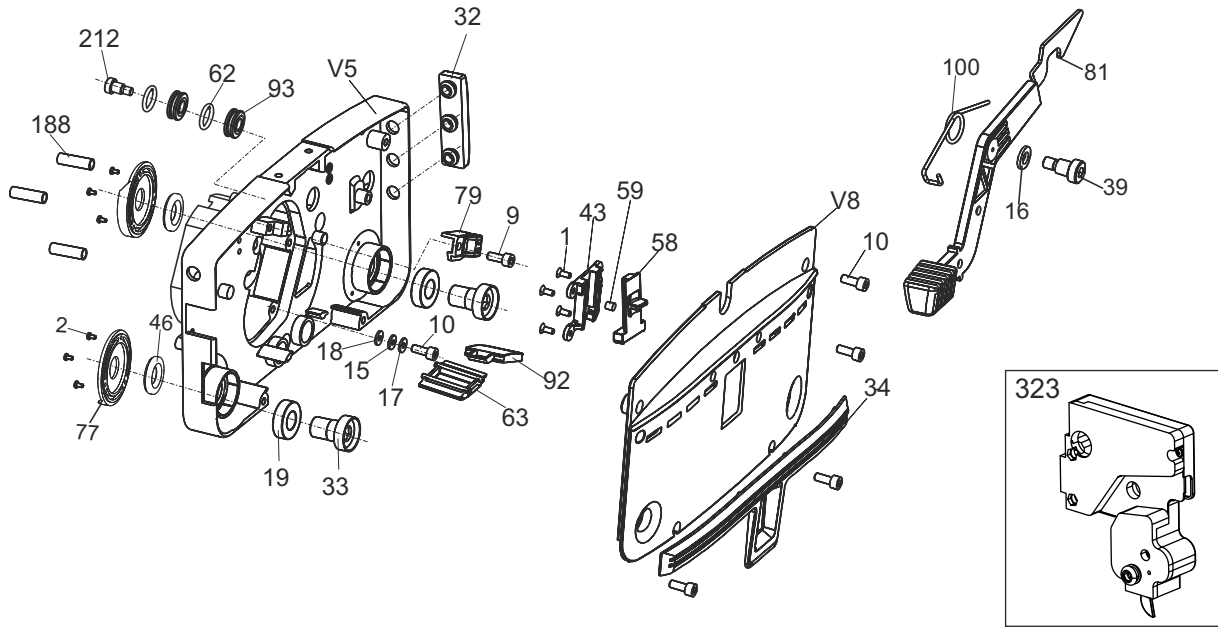
Battery Status LED

Machine Operation	
LED Status	Discharging
Green	Fully charged
Amber	Battery approaching low charge
Amber Flashing	Battery approaching cut off limit
Red	Low charge / cut off
	Motor temperature exceeds limits
Red Flashing	Battery cut off limit reached

HOUSING - DRIVE SIDE



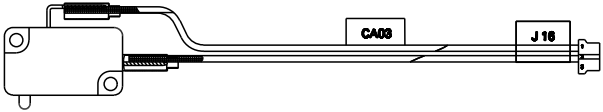
ITEM	PART #	QTY	DESCRIPTION
1	925032	4	CSK SCREW M4x10
2	925003	6	CRPH SCREW M3x6
7	829321	3	CSK SCREW M6x14
9	925114	2	ALLEN SCREW M6x10
10	925027	7	ALLEN SCREW M6x15
11	925031	2	ALLEN SCREW M6x20
20	925227	1	BUSH GUIDE MOTOR SHAFT
24	925001	1	BELT 500 5 M
25	925002	1	BELT 425 5 M
28	925012	2	WASHER
32	925018	1	BUMPER-FRONT
34	925026	1	BUMPER-COVER
42	925047	1	BRUSH SLIDER
43	925048	1	SLIDER HOUSING
46	925054	2	LIP SEAL 17
59	925092	1	PIN-SLIDER
62	925099	2	O RING-WHEEL
63	925102	1	SHIELD-LEVER BOTTOM
77	925130	2	CAP-BEARING
80	925227	1	HOUSING-GEAR SUPPORT
92	925219	2	SHIELD-LEVER-TOP
93	925220	2	IDLER-DRUM
111	925804	2	SPROCKET ASSY-BRUSH
114	925813	2	SPROCKET ASSY-GEAR
115	925815	1	IDLER ASSY-TOOTHED
115a	925075	1	SPROCKET-IDLER
115b	925046	2	HUB-IDLER
116	925816	1	IDLER ASSY-PLAIN
116a	925061	1	SLEEVE-IDLER
212	925221	1	STUB AXLE
311	925350	1	HOUSING ASSY - GEAR SUPPORT
375	925579	1	DRUM PINION ASSY
395	925351	1	GEAR LH - NEW
396	925352	1	GEAR RH - NEW
V7	925353	1	HOUSING w/WEAR PAD ASSY DRIVE DC
V8	925319	1	COVER HOUSING
V10	925354	1	HOUSING ASSY - DRIVE COMPLETE DC
V12	925355	1	COVER ASSY COMPLETE DRIVE



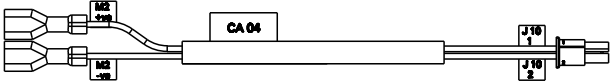
ITEM	PART #	QTY	DESCRIPTION	ITEM	PART #	QTY	DESCRIPTION
1	925032	4	CSK SCREW M4x10	86	925192	2	NUT-INSULATION
2	925003	6	CRPH SCREW M3x6	90	925200	2	SWITCH
6	925039	2	CSK SCREW M5x25	92	925219	1	SHIELD-LEVER-TOP
9	925114	1	ALLEN SCREW M6x10	93	925220	2	IDLER-DRUM
10	925027	5	ALLEN SCREW M6x15	100	925152	1	SPRING-PEDAL
15	925100	1	WASHER 6.4x12.5x1.6	129	925015	1	LEVER SWITCH ACT
16	925151	1	WASHER 9x17x1.5	131	925041	1	INSULATION TOP - DC
17	925110	1	SPRING WASHER M6	132	925044	1	INSULATION BOTTOM - DC
18	925059	1	TOOTHED WASHER M6	188	925207	3	SLEEVE TIE ROD
19	925056	2	BEARING 6003 2RS	212	925221	1	STUB AXLE
21	925063	3	WIRE TIE	315	925356	1	R22 PCB ASSY
32	925018	1	BUMPER	318	925357	1	COVER PCB
33	925019	2	BUSH	319	925358	1	CLAMP CABLE DC
34	925026	1	BUMPER-COVER	320	925359	1	HOUSING SWITCH DM
39	925040	1	STUB AXLE	322	925360	1	GROMMET BRIDGE HOUSING
43	925048	1	SLIDER HOUSING	323	925361	1	ELECTRICAL BOX ASSY DC
46	925054	2	LIP SEAL 17	324	925362	2	WASHER 3.5X8.0X1.0
58	925083	1	TRANSPORT SLIDER	325	925363	1	CR CSK HD SCREW M3X8
59	925092	1	PIN-SLIDER	345	925364	4	BUSH PCB
62	925099	2	O RING-WHEEL	354	925365	1	DUMMY ELECTRICAL BOX
63	925102	1	SHIELD-LEVER BOTTOM	V5	925366	1	HOUSING ASSY - IDLE COMPLETE
72	925116	2	GROMMET	V8	925319	1	COVER HOUSING
77	925130	2	CAP-BEARING	V11	925367	1	HOUSING w/WEAR PAD ASSY IDLE DC
79	925147	1	STOPPER-LEVER	V13	925368	1	COVER ASSY COMPLETE IDLE
81	925500	1	PEDAL				

HOUSING - IDLE SIDE

347



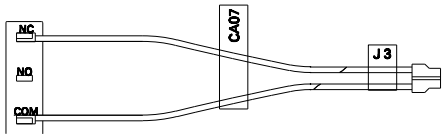
348



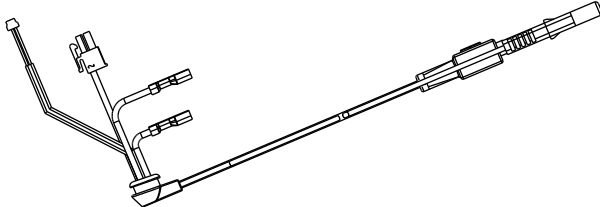
350



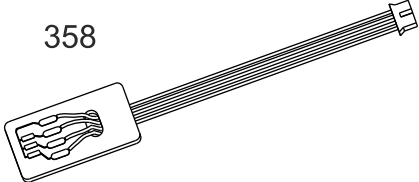
351



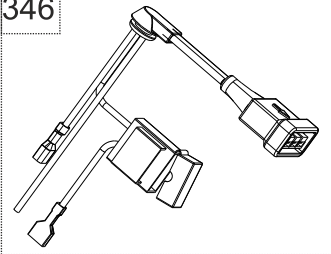
388



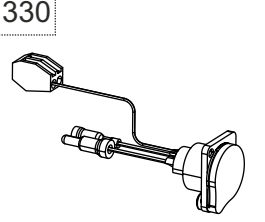
358



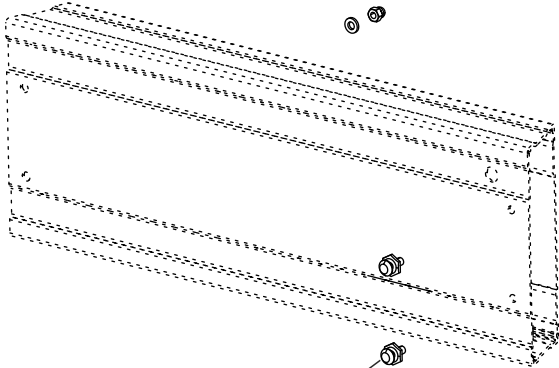
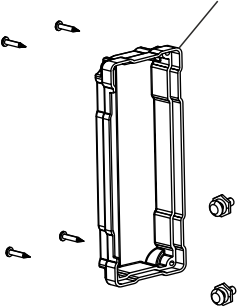
346



330



360



371

372

373

378

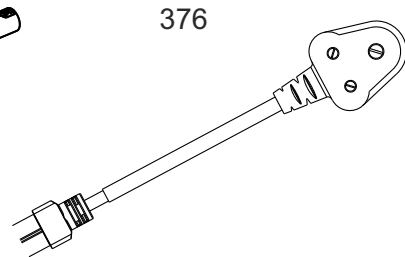
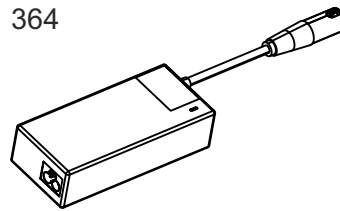
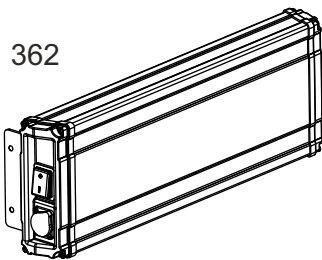
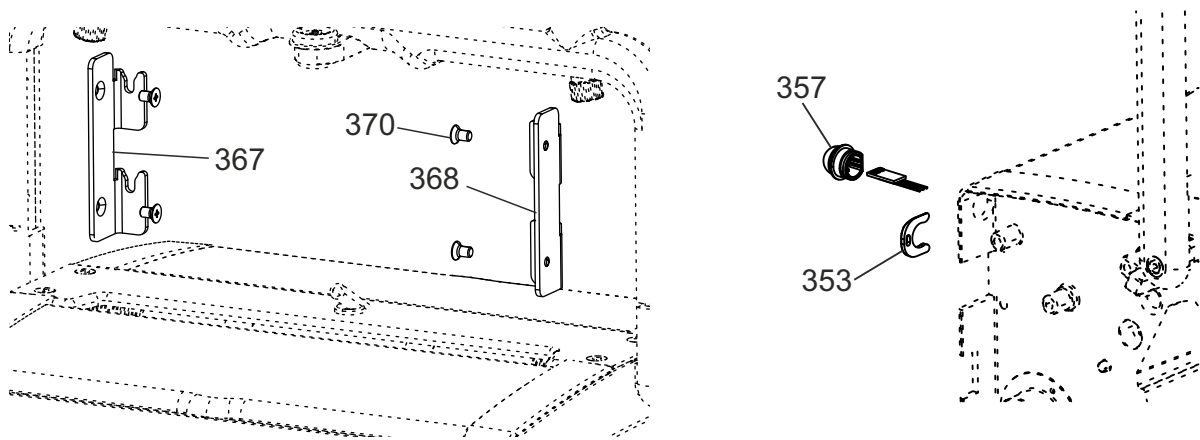
355

356

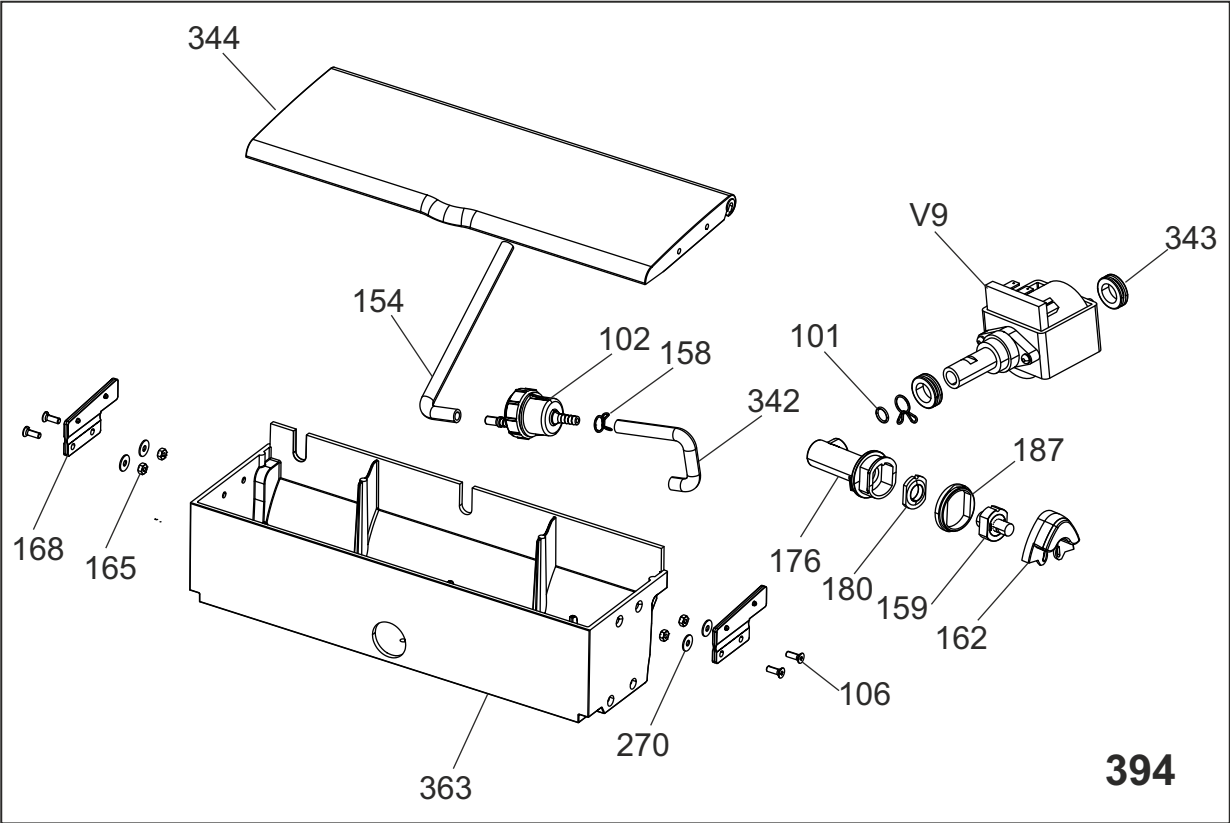
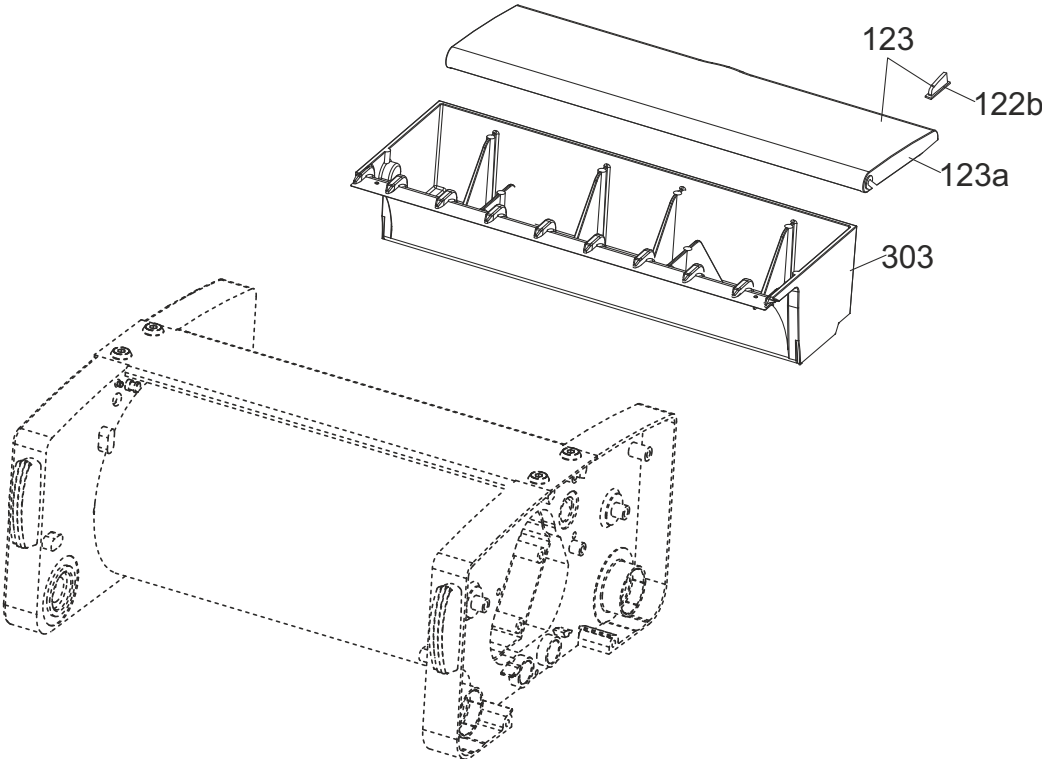
361

ITEM	PART #	QTY	DESCRIPTION
330	925369	1	XLR CONNECTOR ASSY - SPARE
346	925370	1	MAIN CABLE ASSY
347	925371	1	CABLE ASSY CA03
348	925372	1	CABLE ASSY CA04
350	925373	1	CABLE ASSY CA06
351	925374	1	CABLE ASSY CA07
355	3530072	1	SWITCH PUMP
356	925375	2	CSK SELF SCREW 3X9.5
358	925376	1	CABLE ASSY CA09
360	925377	1	COVER BATTERY BOX LH
361	925378	1	COVER BATTERY BOX RH
371	925379	4	PIN LOCK BATTERY BOX
372	925380	4	WASHER - SS304 - 5.2X10X1.6
373	925381	4	DOMED CAP NUT SS304 M5
378	925382	8	STAR HEAD SELF TAPPING SCREW - 3X16
388	925383	1	CABLE ASSY PCB BOARD
401	3130208	1	FUSE-30

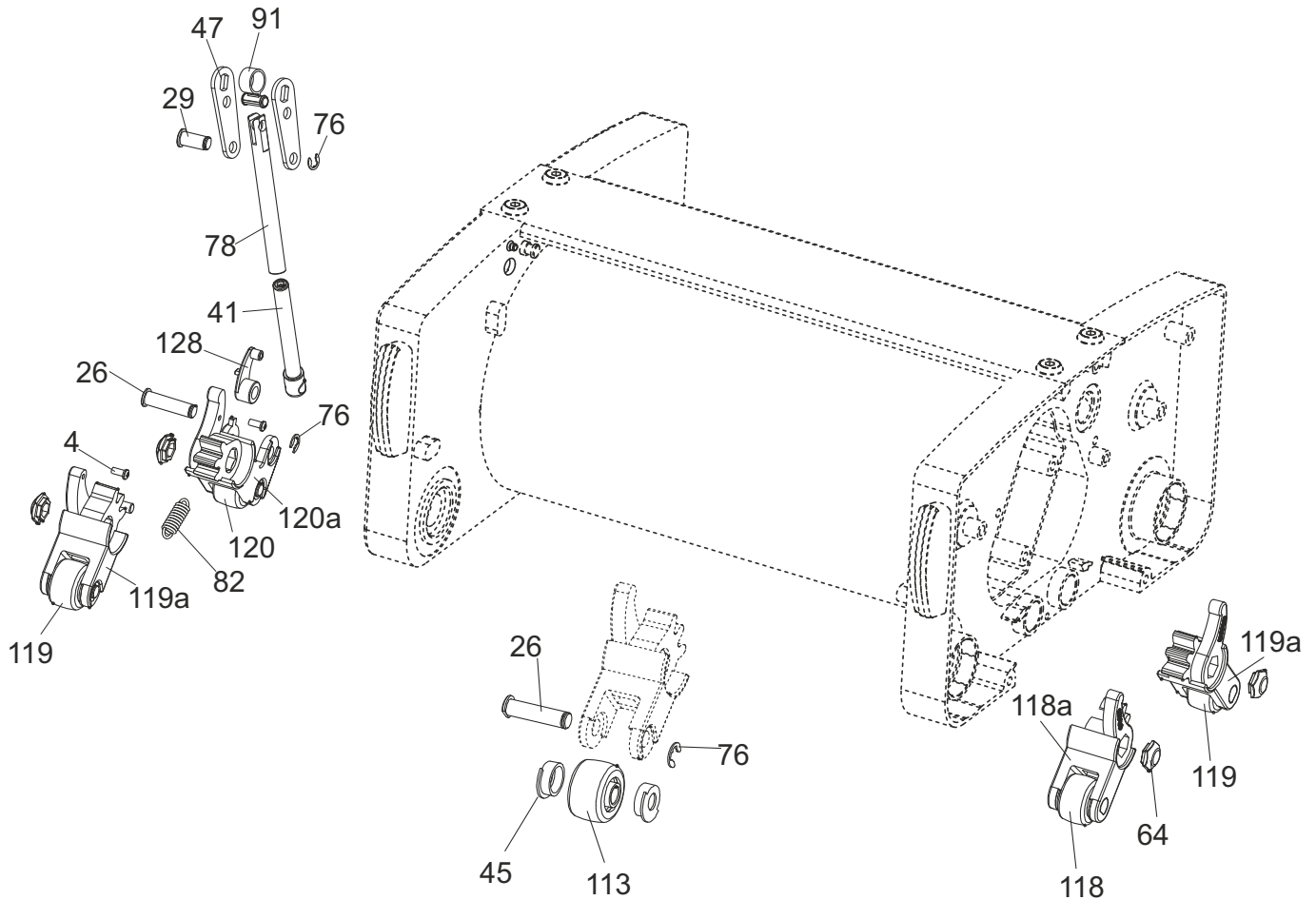
Note: Item No. 401 is not shown in the drawing.



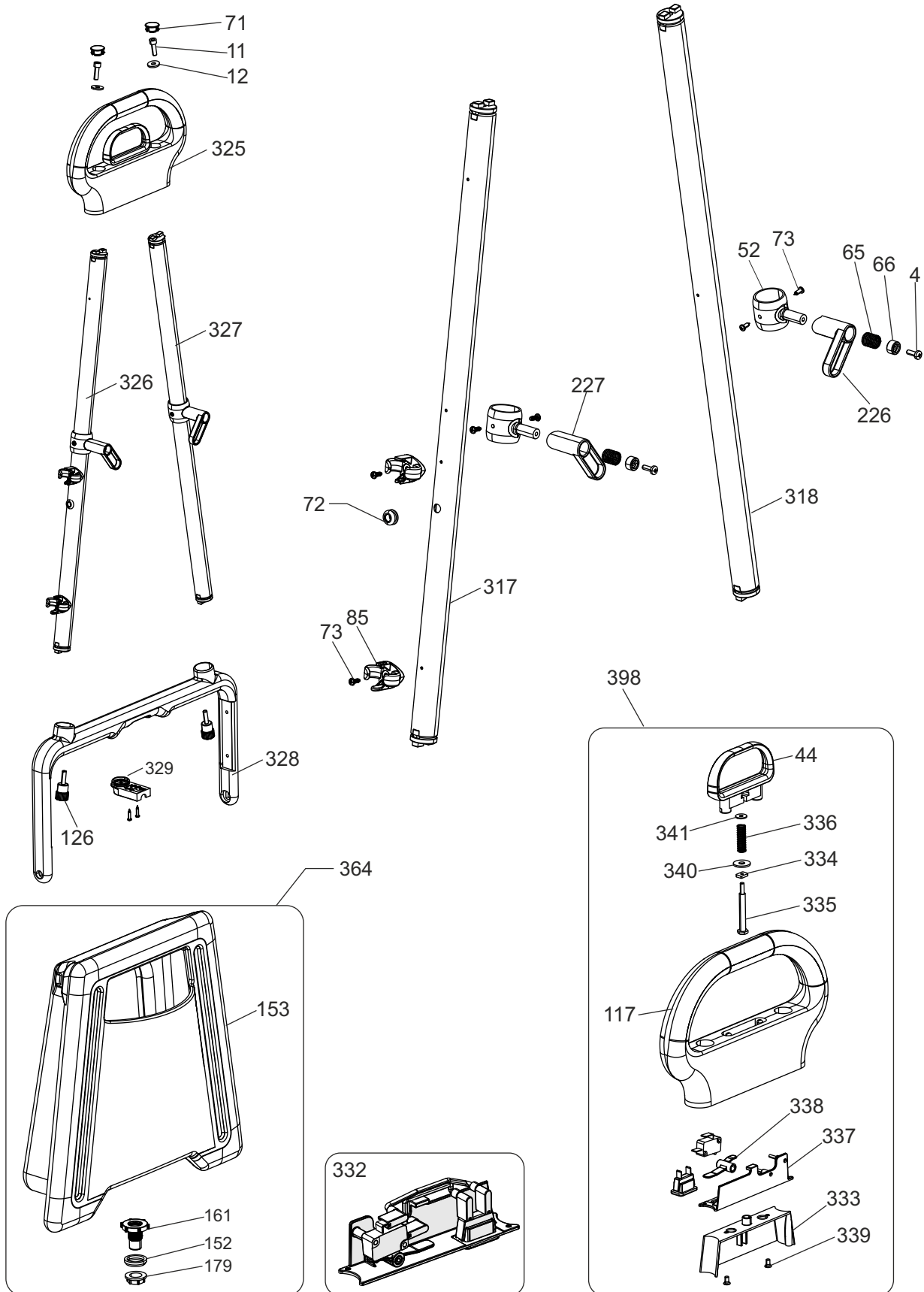
ITEM	PART #	QTY	DESCRIPTION
353	925384	1	CLAMP CAP LED
357	925385	1	CAP LED
362	925386	1	BATTERY PACK GROUP - W34P-B
364	925387	1	CHARGER BW
367	925388	1	BRACKET BATTERY BOX LH
368	925389	1	BRACKET BATTERY BOX RH
370	925390	4	HEX SOC CSK HD SCREW M5X10
376	925391	1	POWER CORD CHARGER



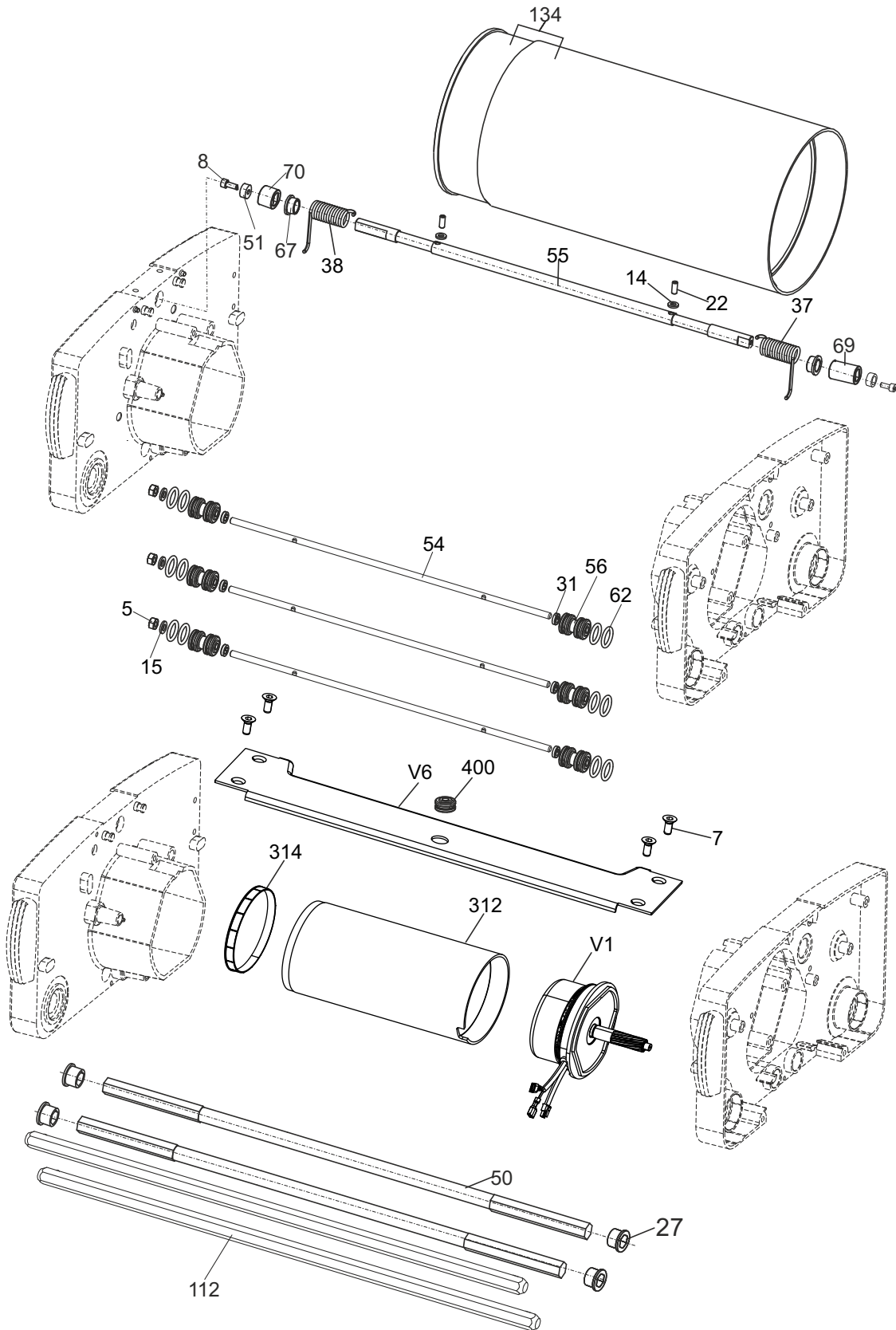
ITEM	PART #	QTY	DESCRIPTION
101	925160	1	O-RING-PUMP
102	925077	1	FILTER
106	925013	4	CSK SCREW M4x12
123	925836	1	LID ASSY-DIRTY WATER
123a	925132	1	LID-DIRTY WATER
122b	925162	2	LID PAD
154	925128	1	HOSE - 275
158	925164	1	HOSE CLIP
159	925165	1	NOZZLE
162	925167	1	BOOT
165	925170	4	HEX NUT M4
168	925204	2	STRIP LID
176	925511	1	ADAPTOR NOZZLE
180	925171	1	SEAL NOZZLE
187	925179	1	SPACER
270	845039	4	WASHER SS304 - 8X4X0.5
303	925832	1	TANK ASSY COMPLETE-DIRTY WATER
342	925392	1	HOSE - 240
343	925393	2	SUPPORT RING
344	925394	1	LID - FRESH WATER PUMP
363	925395	1	PUMP HOUSING W/LABEL - MM - 34 - DC
394	925396	1	PUMP HOUSING COMPLETE
V9	3130140	1	VIBRATING PUMP-24V AC EP8/EP8S



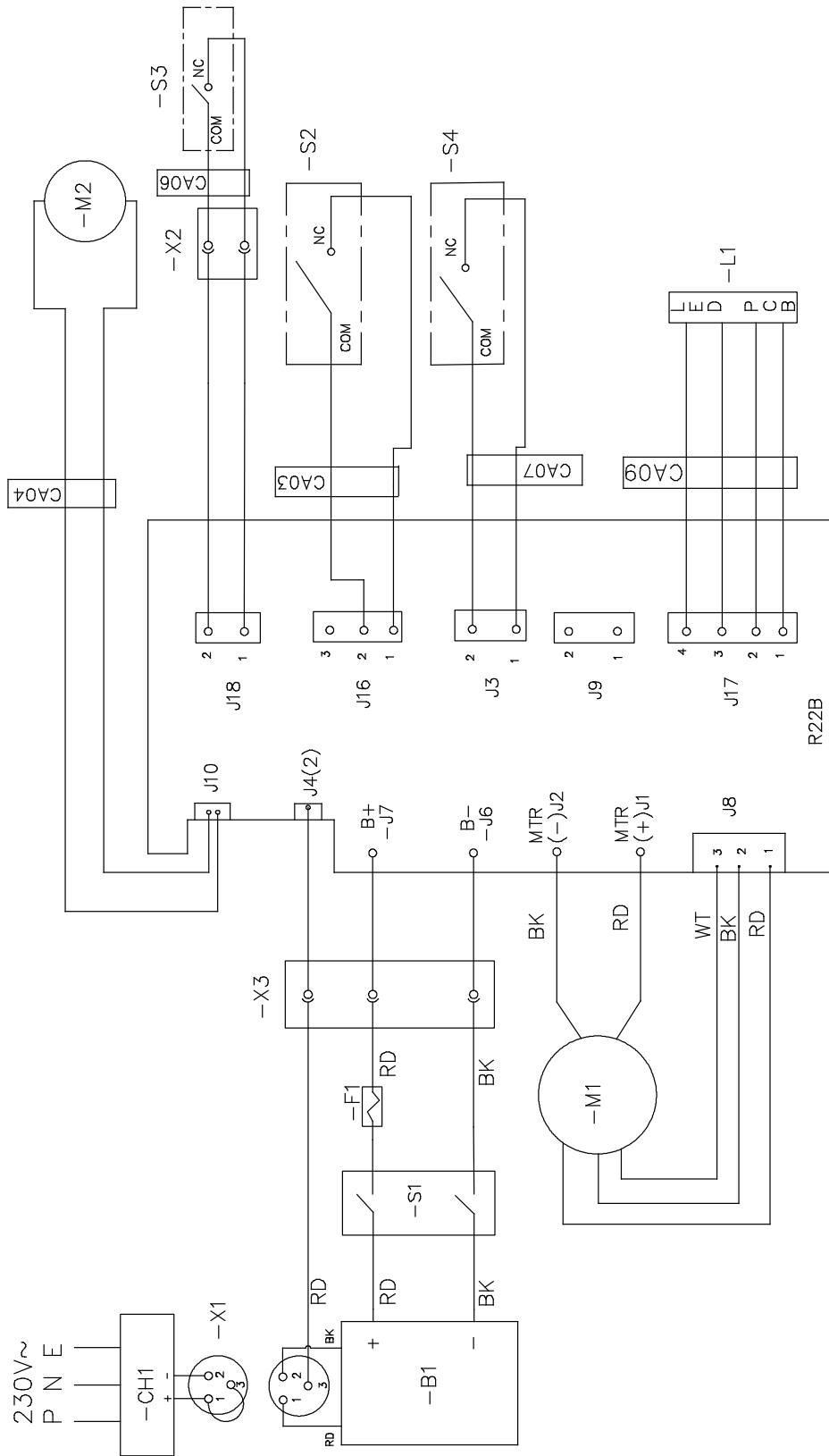
ITEM	PART #	QTY	DESCRIPTION	ITEM	PART #	QTY	DESCRIPTION
4	818104	2	CRPH SCREW M4x12	91	925212	1	BUSH
26	925008	5	CLEVIS PIN	113	925810	4	WHEEL
29	925014	1	CLEVIS PIN-LEVER	118	925822	1	LEVER ASSY
41	925043	1	LINK	118a	925085	1	LEVER-DRIVEN
45	925053	8	SHIELD	119	925823	2	LEVER ASSY- IDLER
47	925055	2	LEVER-BRUSH ACTUATION	119a	925086	2	LEVER-IDLER
64	925105	4	LEVER BUTTON	120	925824	1	LEVER ASSY- DRIVER
76	925129	6	CIRCLIP	120a	925087	1	LEVER-DRIVER
78	925139	1	LINK GUIDE	128	925050	1	LEVER SWITCH
82	925180	1	SPRING				



ITEM	PART #	QTY	DESCRIPTION
4	818104	2	CRPH SCREW M4x12
11	925031	2	ALLEN SCREW M6x20
12	925088	2	WASHER 6.4x18x2
44	925049	1	PULL HANDLE
52	925069	2	BASE-CABLE HOLDER
65	925106	6	SPRING
66	925107	6	WASHER
71	925115	2	PLUG
72	925116	1	GROMMET
73	925186	10	SELF TAPPING SCREW
85	925183	2	GUIDE
117	925818	1	TOP HANDLE
126	925103	2	KNOB
152	925127	1	GASKET
153	925111	1	TANK-4I
161	925135	1	VALVE
179	925126	1	NUT
226	925307	1	KNOB-TANK HOLDER-LH
227	925308	1	KNOB-TANK HOLDER-RH
228	925339	2	BASE-CABLE AND TANK HOLDER
317	925397	1	PIPE ASSY LH DC STD
318	925398	1	PIPE ASSY RH DC STD
325	925399	1	TOP HANDLE ASSY W34P DC
326	925400	1	PIPE ASSY COMPLETE LH DC STD
327	925401	1	PIPE ASSY COMPLETE RH DC STD
328	925402	1	BOTTOM HANDLE DC
329	925403	1	BASE VALVE ASSY DC
332	925404	1	COVER SWITCH ASSY TOP DC
333	925405	1	BASE SWITCH - TOP HANDLE DC
334	925406	1	PLATE NUT SWITCH
335	925407	1	PIN PUMP SWITCH DC
336	925408	1	SPRING PUMP SWITCH
337	925409	1	COVER SWITCH TOP HANDLE
338	925410	1	ACTUATOR PUMP SWITCH DC
339	925411	2	CR CSK HD SCREW SS304 M4X8
340	925412	1	WASHER SS304 6.4X18X1.6
341	925413	1	WASHER SS304 4.3X12X1.0
364	925414	1	TANK ASSY GREY - 4L COMPLETE
398	925415	1	TOP HANDL ASSY DC

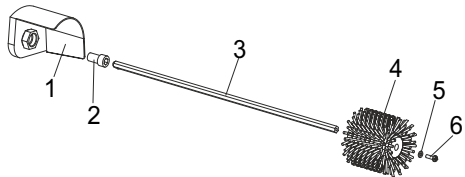


ITEM	PART #	QTY	DESCRIPTION
5	925136	3	HEX NUT M5
7	829321	4	CSK SCREW M6x14
8	925090	2	ALLEN SCREW M4x10
14	925080	2	WASHER 5.2x10x1.6
15	925100	3	WASHER 6.4x12.5x1.6
22	925084	2	GRUB SCREW M5x12
27	925009	4	BUSH
28	925012	4	WASHER
31	925017	6	WASHER
37	925037	1	SPRING-HANDLE-LH
38	925038	1	SPRING-HANDLE-RH
50	925065	2	HEX SHAFT
51	925068	2	WASHER
54	925078	3	TIE ROD
55	925079	1	SHAFT
56	925081	6	WHEEL-DRUM
62	925099	12	O' RING
67	925108	2	BUSH
69	925112	1	SPACER-DRIVE
70	925113	1	SPACER-IDLE
112	925808	2	BRUSH SHAFT
134	925067	1	DRUM ASSY
312	925416	1	SPACER MOTOR DC
314	925417	1	COVER PROTECTION
400	925418	1	GROMMET BRIDGE HOUSING
V1	925419	1	BLDC MOTOR
V6	925420	1	BRIDGE HOUSING ASSY-34-DC - MM



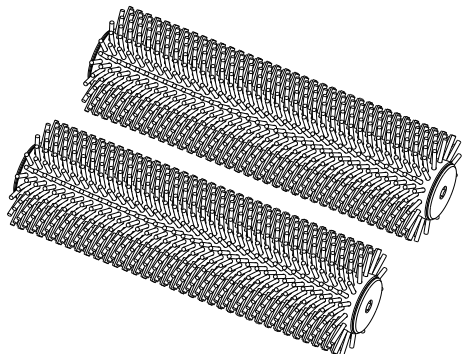
LEGEND	DESCRIPTION
-M1	MOTOR - BLDC
-M2	VIBRATING PUMP
-X1	XLR CONNECTOR
-X2	C8 CONNECTOR
-S1	SWITCH
-S2	WIZZARD ON-SWITCH
-S3	PUMP SWITCH
-S4	SWITCH DB (DEAD MAN)
R22B	PCB DC WIZZARD
-L1	LED - PCB
-B1	BATTERY PACK
-F1	FUSE 30A
CA03	CABLE ASSY BW CA03
CA04	CABLE ASSY BW CA04
CA06	CABLE ASSY BW CA06
CA07	CABLE ASSY BW CA07
CA09	CABLE ASSY BW CA09
-CH1	CHARGER
-X3	BATTERY PLUG

Side Brushes



SIDE BRUSH ASSEMBLY - 925907			
ITEM	PART #	QTY	DESCRIPTION
1	925766	1	SHIELD ASSY - SIDE BRUSH
2	925172	1	BUSH-SIDE BRUSH
3	925764	1	SHAFT ASSY - SIDE BRUSH-34
4	925855	1	BRUSH ASSY-SIDE-STD
5	844052	1	WASHER-STEEL-5.2 X 10 X 1.6
6	925146	1	HEX SOC HEAD CAP SCREW-SS304-M5X20

Brushes



BRUSHES		
PART #	QTY	DESCRIPTION
925901	1	BRUSH GROUP-STD-34
925903	1	BRUSH GROUP-HARD-34
925902	1	BRUSH GROUP SOFT-34
925908	1	BRUSH GROUP-ESCALATOR-34

Minuteman International Made Simple Commercial Limited Warranty

REVISION O EFFECTIVE 4/1/2016

Minuteman International, Inc. warrants to the original purchaser/user that the product is free from defects in workmanship and materials under normal use. Minuteman will, at its option, repair or replace without charge, parts that fail under normal use and service when operated and maintained in accordance with the applicable operation and instruction manuals. All warranty claims must be submitted through and approved by factory authorized repair stations.

This warranty does not apply to normal wear, or to items whose life is dependent on their use and care, such as belts, cords, switches, hoses, rubber parts, electrical motor components or adjustments. Parts manufactured by Minuteman are covered by and subject to the warranties and/or guarantees of their manufacturers. Please contact Minuteman for procedures in warranty claims against these manufacturers.

Special warning to purchaser -- Use of replacement filters and/or pre-filters not manufactured by Minuteman or its designated licensees, will void all warranties expressed or implied. A potential health hazard exists without original equipment replacement.

All warranted items become the sole property of Minuteman or its original manufacturer, whichever the case may be.

Minuteman disclaims any implied warranty, including the warranty of merchantability and the warranty of fitness for a particular purpose. Minuteman assumes no responsibility for any special, incidental or consequential damages.

This limited warranty is applicable only in the U.S.A. and Canada, and is extended only to the original user/purchaser of this product. Customers outside the U.S.A. and Canada should contact their local distributor for export warranty policies. Minuteman is not responsible for costs or repairs performed by persons other than those specifically authorized by Minuteman. This warranty does not apply to damage from transportation, alterations by unauthorized persons, misuse or abuse of the equipment, use of non-compatible chemicals, or damage to property, or loss of income due to malfunctions of the product.

If a difficulty develops with this machine, you should contact the dealer from whom it was purchased.

This warranty gives you specific legal rights, and you may have other rights which vary from state to state. Some states do not allow the exclusion or limitation of special, incidental or consequential damages, or limitations on how long an implied warranty lasts, so the above exclusions and limitations may not apply to you.

Model	Parts	Labor	Poly	Travel**
Cord Electric Group	5yrs	3yrs	12yrs	90 days
Battery Operated Group	5yrs	3yrs	12yrs	90 days

Exceptions.....

Model	Parts	Labor	Poly	Travel**
Port A Scrub, all models	1yr	6months	12yrs	90 days
A3S Blower	1yr	1yr	0	0
Phenom Dual Motor Upright Vacuums	2yrs	2yrs	0	0
Explosion Proof Vacuum	1yr	1yr	0	0
Propane Burnisher	1yr	1yr	0	90 days
**Travel, 2 hours max				

<i>Stand-alone Battery Chargers:</i>	One year
<i>Replacement Parts:</i>	Ninety days
<i>Batteries:</i>	0-3 months full replacement, 4-12 months pro-rate
<i>Polypropylene Plastic Tanks:</i>	12yr warranty, no additional labor

14N845 U.S. Route 20, Pingree Grove, IL 60140 USA
 Phone (800) 323-9420 - www.minutemanintl.com
 A Member of the Hako Group

“Excellence Meets Clean”

**Minuteman is a Full Line Manufacturer of Sweepers and Scrubbers,
for Industrial Facilities.**

14N845 U.S. Route 20, Pingree Grove, IL 60140 USA
Phone (800) 323-9420 - www.minutemanintl.com
A Member of the Hako Group